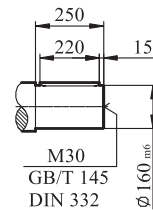
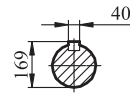
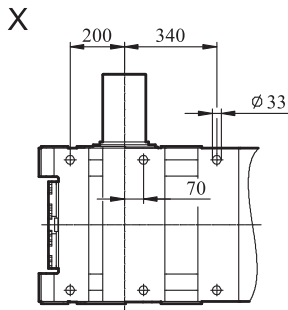
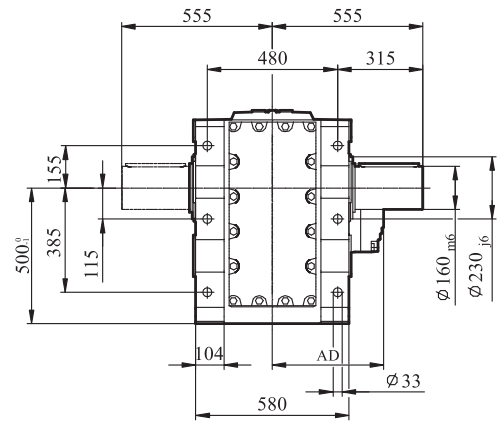
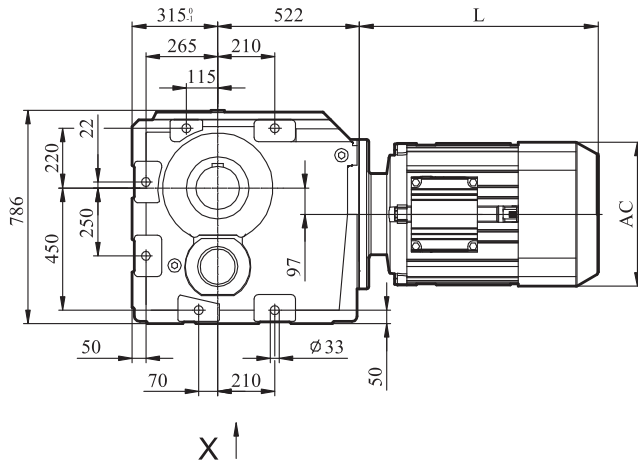
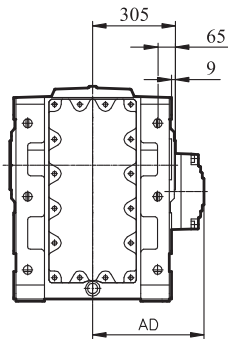


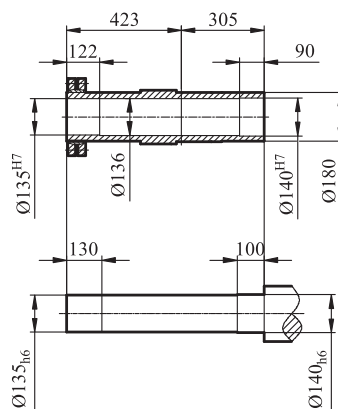
GK167



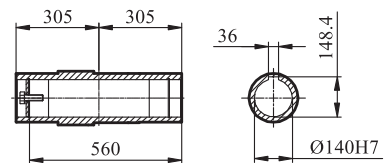
GKA/GKH167



GKH167输出轴



GKA167输出轴



YE2电机机座号 Motor Size	160M	160L	180M	180L	200L	225S	225M	250M	280S	280M	315S	315M	315L	
L	567	602	635	666	642	669	691	770	828	879	1100	1210	1210	
AC	315	315	350	350	395	450	450	480	530	530	645	645	645	
AD	255	255	280	280	305	335	335	370	410	410	530	530	530	